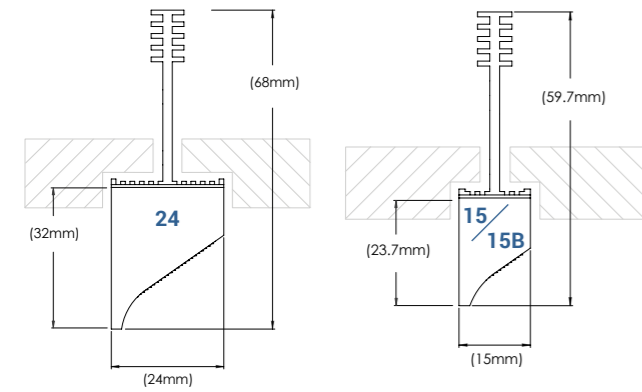


Product Name	Type of LED/K Color	Size	Grid Type	Optic	Mounting Clips	Color
TBSL = T-BAR LED	HW = Warm White 3000K MW = Medium Warm 3500K MN = Medium Neutral 4000K HN = Neutral White 4500K	6 = 600mm 12 = 1200mm 12L = 1200mm L 6G = 625mm 12G = 1250mm 12GL = 1250mm L	24 = T24 15 = T15 15B = T15 Bolt Slot	A2 = Asymmetric	U = Universal A = Armstrong C = Custom	W = White C = Custom

US Patent No. 8.177.385; 9.879.850; 004481000-0001. Additional patents are pending.

Profile Dimensions

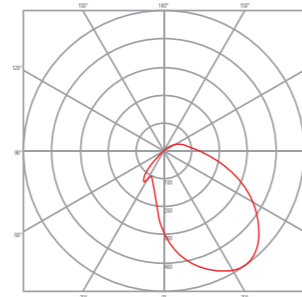


CRI = >82 IP40

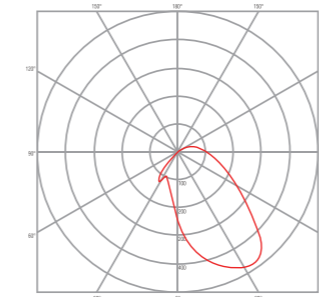
LIGHT OUTPUT:

24mm – 1.166lm per 600mm
75lm/W

15mm – 970lm per 600mm
62lm/W



T24 Asymmetric



T15 Asymmetric

NOTES:

T-BAR LED modules can be parallel connected up to 3.6 linear meters max per power supply. Remote power supply includes JB compartment for AC input direct wiring. Max distance from power supply to fixtures is 9 meters with 0.75 mm² wire. Longer distance achievable if using higher gauge wire.

APPLICATIONS:

Executive, Medical, Health, Educational, Retail, Hotels, Airport, Hospitality and any open space areas that require a unique and elegant architectural lighting design.

MOUNTING:

Universal mounting brackets are for easy installation to standard T24 or T15 T-Bars of most manufacturers' ceiling suspension systems. Armstrong compatible mounting clips for installation with Armstrong Ceiling T24 Prelude® and Clean Room™, T15 Suprafine®, Silhouette®, Sonata®, Interlude®, and DC FlexZone™ suspension systems.

MATERIALS:

Anodized and painted aluminum extruded body, steel mounting clips, white PC end caps, high transmitting acrylic PMMA lens.

ELECTRIC:

High output LEDs consume 16W total (600mm) or 32W total (1200mm). Power supply consumption not included. Input voltage 24VDC. Class 2 plenum rated cables at each end equipped with quick connectors to allow multiple modules to be easily connected together (max 3.6 linear meters of product). Use solid copper wire or wire ferrules to fit into quick connectors.

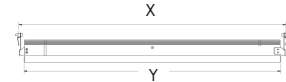
WARRANTY:

5 years

LISTINGS:

ETL/cETLus CE RoHS Indoor use only.

Length Dimensions



Size	Grid Type	X	Y
6 = 600mm	24 = T24	600mm	576mm
12 = 1200mm	24 = T24	1200mm	1176mm
12L = 1200mm L	24 = T24	1200mm	600mm
6 = 600mm	15 = T15	600mm	585mm
12 = 1200mm	15 = T15	1200mm	1185mm
12L = 1200mm L	15 = T15	1200mm	600mm

German Length Dimensions

Size	Grid Type	X	Y
6G = 625mm	24 = T24	625mm	610mm
12G = 1250mm	24 = T24	1250mm	1225mm
12GL = 1250mm L	24 = T24	1250mm	625mm
6G = 600mm	15 = T15	600mm	601mm
12G = 1200mm	15 = T15	1250mm	1225mm
12GL = 1250mm L	15 = T15	1250mm	625mm

